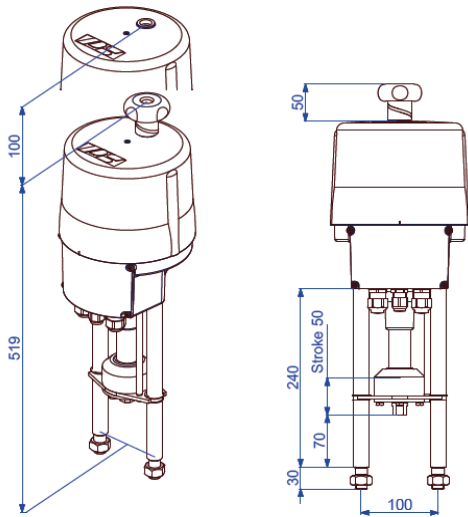


Intelligent Linear Actuator

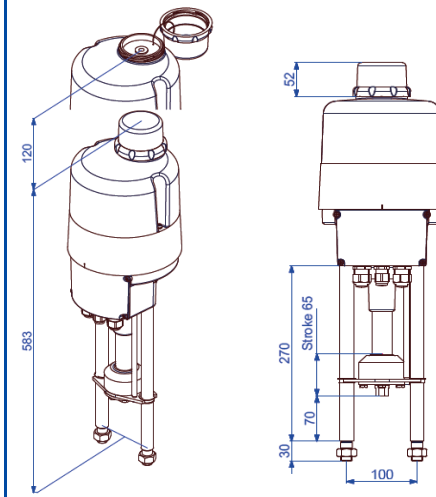
**PSL210
AMS1x**

Stroke 50 (IP65)



Dimensions are only valid up to and including connection M16!
Approx. weight: 10 kg without accessories

Stroke 65 (IP67)



Dimensions are only valid up to and including connection M16!
Approx. weight: 10 kg without accessories

Positioner integrated

10 kN

Max. force

5 kN max. Modulating Force)¹

0.2 - 1.7 mm/s
Operating speed

Stroke 50 mm
opt. 65 mm

Modulating actuator
Class C
EN 15714-2

Enclosure IP65

EN 60529

Operating speed	0.2 - 0.35 mm/s (adjustable)			
Power supply [V]	230 VAC 1~	115 VAC 1~	24 VAC/DC	360...460 VAC 3~) ²
Nominal current) ⁴ [A]	0.18	0.37	1.76(AC) / 1.1(DC)	0.15) ³
Max. current) ⁴ [A]	0.24	0.48	2.3(AC) / 1.4(DC)	0.2) ³
Power consumption) ⁵ [W]	32	32	30(AC) / 26(DC)	41) ³

**PSL210
AMS11**

Operating speed	0.85 - 1.7 mm/s (adjustable)			
Power supply [V]	230 VAC 1~	115 VAC 1~	24 VAC/DC	360...460 VAC 3~) ²
Nominal current) ⁴ [A]	0.42	0.84	4(AC) / 2.5(DC)	0.31) ³
Max. current) ⁴ [A]	0.55	1.1	5.3(AC) / 3.3(DC)	0.4) ³
Power consumption) ⁵ [W]	78	78	73(AC) / 61(DC)	82) ³

**PSL210
AMS12**

Standard	Description
Ambient temperature [°C]	-20 to +60 °C
Motor protection	Electronic motor current monitoring with safety cut-off
Overvoltage category	II
Break away force	Adjustable up to +50% nominal force
Duty cycle IEC 60034-1,8	S2 30min S4 50% ED @ 25°C
Set value and feedback	0 (4)..20 mA or 0 (2)..10 V selectable, split range operation
Binary control	24 V - 230 V for ON/OFF control (min. duration of pulse 1s)
Valve positioner function	Integrated positioner, deadband adjustable from 0.5 .. 5%, shut-off minimum
Automatic start-up	Recognizing the end position(s) and autoscaling set and feedback values
Internal fault monitoring	Torque, set value, temperature, power supply, positioning deviation etc., adjustable
Diagnostics function	Stores cumulated operation data (motor and total running time, number of motor starts) and data sets of current values (set value, feedback value, torque, temperature and error messages)
Communication interface	Connecting to a USB port and a software, allows data reading and parametrisation
Cable glands	2 pcs. M20 x 1,5 and 1 pcs. M16 x 1,5

Standard equipment

)¹ = permissible average force over the entire travel

)² = max. input voltage range

)³ = at 400 V 3 ~ and 50 Hz

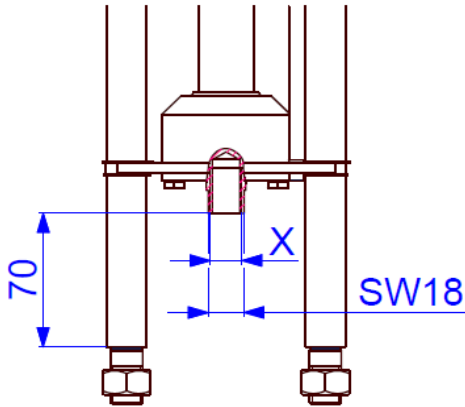
)⁴ = data may vary depending on accessories

)⁵ = at max. force, data may vary depending on accessories

Electrical connection plan

1-Phasen Wechselfspannung / DC 1-Phase AC / DC														3-Phasen 3-Phase AC																					
1	2	3	4	5	6	7	8	9	10	11	12	13	14	15	16	17	18	19	20	21	22	23	PE	RJ-45 TTL	Taster Button	L1	L2	L3	PE						
↕	↕	↕	↕	↕	↕	↕	↕	↕	↕	↕	↕	↕	↕	↕	↕	↕	↕	↕	↕	↕	↕	↕	↕	(Option)		↕	↕	↕	↕						
+ (0/2) - 10 V		+ (0/4) - 20 mA		+ (0/4) - 20 mA		max. Last / max. Load 100 mA bei / at 24 VDC (Option)		L+/AUF/OPEN		N/-		L+/ZU/CLOSE		N/- (24V AC/DC)		L+/ (24V AC/DC)		21 - 40 VDC / 100 mA		+ (0/4) - 20 mA		+ (0/2) - 10 V		(Option)				400VAC		400VAC		400VAC		Schutzleiter / protective conductor	
Solwert-Eingang		Aktive Positionsrückmeldung		Störmeldung potentialfrei		Binäre Ansteuerung		Netz-ausfall-signal		Ver-sorgung		Istwert		Zu / Closed		Auf / Open		Wegschalter potentialfreier Kontakt		Vorsorgungsspannung		Feldbus-Anschluß		PC Kommunikation		Inbetrieb-nahme		Versorgungsspannung		Power supply voltage		Schaltnetzteil			
Set value input		Active position feedback		Monitor relay potential-free		Binary input signals		Fail safe signal		Supply		Actual value		Position switch potential-free contact		Power supply voltage		Fieldbus interface		PC communication		Commissioning		Power supply voltage		Schaltnetzteil									
Galvanisch getrennt / Galvanically isolated 1 kV														Process-Sensor																					
8013776 - S-217_F																																			

Dimensions of the PS standard adaptation

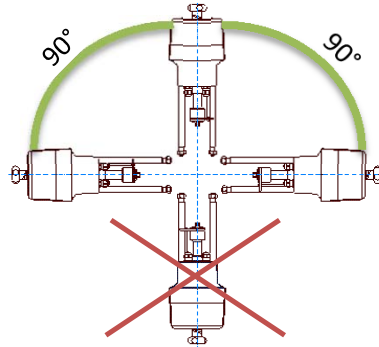


Connection Thread X

M8	Optional
M10	Optional
M12	Optional
M14	Optional
M16	Standard

Fine threaded and other sizes on request!

Mounting position



Accessories/options

Add'l position switches	2WE	Potential-free additional position switches with silver contacts (0.1 A - 10 A switching current)
Add'l position switches gold	2WE Gold	Potential-free additional position switches with gold contacts (0.1 mA - 100 mA switching current)
Integrated process controller	PSIC	Enables the autonomous control of a process so that an external controller is not required.
Fail-safe*	PSCP	Emergency power supply based on supercapacitors, safety position OPEN, CLOSED or free defined position
Fieldbus interface*		Digital transmission of nominal and actual value per mill or percent, report of monitoring and diagnostic data using Profibus DP (PSPDP) or CANOpen (PSCA) interfaces, additional interfaces available on request
Local control	PSC.2	Illuminated display to show the actuator status and lockable selector to switch between modes: automatic, manual process ON/OFF, STOP and parameter menu. Control buttons for manual movement, menu operation and adjustment of parameters, display of diagnostic information
Remote local control		Mounting separately from the actuator (incl. 10 m connection cable)
Data cable	PSCS-USB	USB data cable enables the communication between the actuator and a PC by using the software PSCS
Fault indication relay*	FIR	Potential-free opening contact provides a freely definable collective fault signal
Fail-safe port*	FSP	Signal port to drive to a "safety position", selectable fail-safe position, standard 24 - 230 V
IP67		Increased enclosure IP67
Heating resistor	HR	Heating resistor to prevent condensation

*not retrofittable

For more information and accessories, please visit our website www.ps-automation.com!

Subject to changes!