

Intelligent Linear Actuator

PSL320-325

AMS13

Positioner integrated

20 kN/25 kN

Max. Force
10/12.5 kN max. Modulating Force)¹

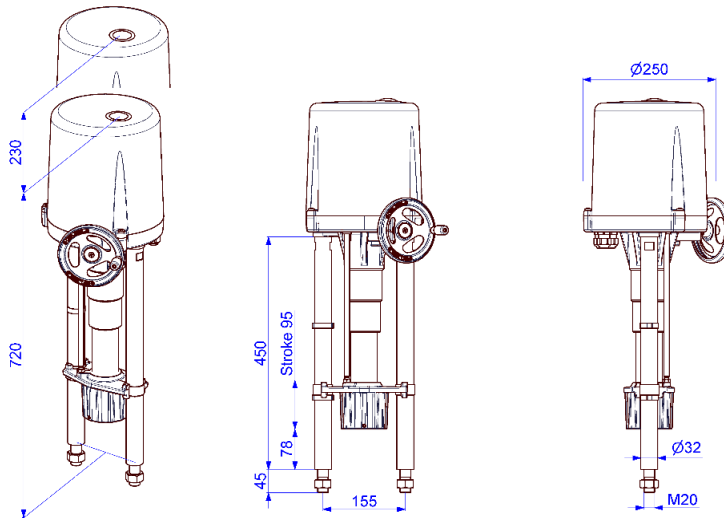
0.2 - 0.4 mm/s
Operating speed

max. 95 mm
Stroke

Modulating actuator
Class C
DIN EN 15714-2

Enclosure IP65

EN 60529



Approx. weight: 23 kg without accessories

Dimensions are only valid for connections to M20!

Operating speed	0.2 - 0.4 mm/s (adjustable)				PSL320 AMS13
Power Supply [V]	230 VAC 1~	115 VAC 1~	24 VAC/DC	360...460 VAC 3~) ²	
Nominal Current) ⁴ [A]	0.44	0.88	4.2(AC) / 2.6(DC)	0.32) ³	
max. Current) ⁴ [A]	0.57	1.15	5.5(AC) / 3.4(DC)	0.42) ³	
Power Consumption) ⁵ [W]	81	81	76(AC) / 63(DC)	85) ³	

Operating speed	0.2 - 0.4 mm/s (adjustable)				PSL325 AMS13
Power Supply [V]	230 VAC 1~	115 VAC 1~	24 VAC/DC	360...460 VAC 3~) ²	
Nominal Current) ⁴ [A]	0.48	0.95	4.6(AC) / 2.9(DC)	0.35) ³	
max. Current) ⁴ [A]	0.62	1.24	6(AC) / 3.7(DC)	0.42) ³	
Power Consumption) ⁵ [W]	88	88	82(AC) / 69(DC)	91) ³	

Standard	Description	Standard equipment
Ambient temperature [°C]	-20 to +60 °C	
Motor protection	Electronic motor current monitoring with safety cut-off	
Overvoltage category	II	
Break away force	Adjustable up to +50% nominal force	
Duty cycle IEC 60034-1,8	S2 30 min S4 50% ED @ 25°C	
Set value and feedback	0 (4)..20 mA or 0 (2)..10 V selectable, split range operation	
Binary control	24 V - 230 V for ON/OFF control (min. duration of pulse 1s)	
Valve positioner function	Integrated positioner, deadband adjustable from 0.5 .. 5%, shut-off minimum	
Automatic start-up	Recognizing the end position(s) and autoscaling set and feedback values	
Internal fault monitoring	Torque, set value, temperature, power supply, positioning deviation etc., adjustable	
Fault indication relay FIR	Potential-free opening contact provides a freely definable collective fault signal	
Diagnostics function	Stores cumulated operation data (motor and total running time, number of motor starts) and data sets of current values (set value, feedback value, torque, temperature and error messages)	
Communication interface	Connecting to a USB port and a software, allows data reading and parametrisation	
Cable glands	3 pcs. M20 x 1,5	

)¹ = permissible average force over the entire travel

)² = max. input voltage range

)³ = at 400 V 3 ~ and 50 Hz

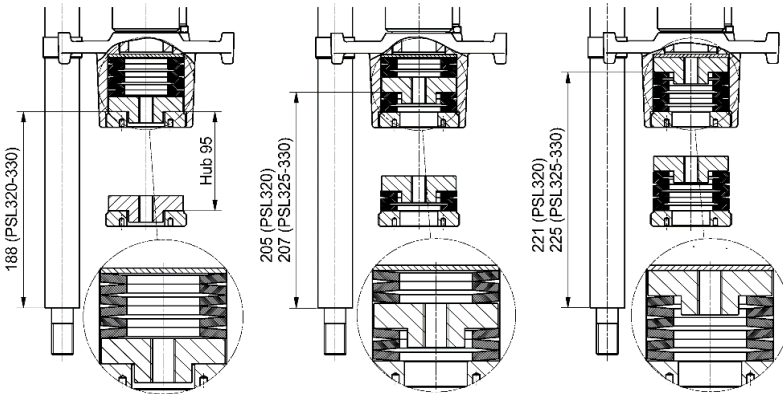
)⁴ = data may vary depending on accessories

)⁵ = at max. force, data may vary depending on accessories

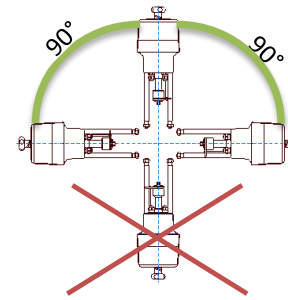
Electrical connection plan

1-Phasen Wechselspannung / DC 1-Phase AC / DC																							3-Phasen 3-Phase AC															
1	2	3	4	5	6	7	8	9	10	11	12	13	14	15	16	17	18	19	20	21	22	23	+	+	+	+	PE	RJ-45 TTL	Taster Button	L1	L2	L3	PE					
↕	↕	↕	↕	↕	↕	↕	↕	↕	↕	↕	↕	↕	↕	↕	↕	↕	↕	↕	↕	↕	↕	↕	↕	↕	↕	↕	↕	↕	↕	↕	↕	↕	↕	↕	↕	↕	↕	↕
+ Q(2) - 10 V	+ Q(2) - 10 V	GND	+ Q(2) - 10 V	+ Q(2) - 10 V	GND	max. Last / max. Load 10 VDC 24 VDC	24 V AC/DC - 230 VAC	U+ / AUFR / OPFV	N/-	U+ / ZU / CLOSE	U+ / ZU / AC/DC - 230VAC	U+ / ZU / AC/DC - 230VAC	U+ / ZU / AC/DC - 230VAC	U+ / ZU / AC/DC - 230VAC	U+ / ZU / AC/DC - 230VAC	U+ / ZU / AC/DC - 230VAC	U+ / ZU / AC/DC - 230VAC	U+ / ZU / AC/DC - 230VAC	U+ / ZU / AC/DC - 230VAC	U+ / ZU / AC/DC - 230VAC	U+ / ZU / AC/DC - 230VAC	U+ / ZU / AC/DC - 230VAC	PE	(Option)	(Option)	400 VAC	400 VAC	400 VAC	400 VAC	Schutzleiter / protective conductor	Versorgungs- spannung	Versorgungs- spannung	Schaltnetzteil					
Sollwert- Eingang	Aktive Positions- rückmeldung	Aktive position feedback	Störmeldung potentialfrei	Morator relay potential-free	Binäre Ansteuerung	Netz- ausfall- signal	Fail safe signal	Ver- sor- gung	Istwert	Zu / Closed	Auf / Open	Wegschalter potentialfreier kontakt	Position switch potential-free contact	Versorgungs- spannung	Feldbus- Anschluß	PC Kommuni- kation	Inbetrieb- nahme	Versorgungs- spannung	Versorgungs- spannung	Schaltnetzteil																		
Galvanisch getrennt / Galvanically isolated 1 kV								Process-Sensor																														

Dimensions of the PS standard adaptation



Mounting position



Accessories/Options

Add'l position switches	2WE	Potential-free additional position switches with silver contacts (0.1 A - 10 A switching current)
Add'l position switches gold	2WE Gold	Potential-free additional position switches with gold contacts (0.1 mA - 100 mA switching current)
Integrated process controller	PSIC	Enables the autonomous control of a process so that an external controller is not required.
Fail-safe*	PSCP	Emergency power supply based on supercapacitors, safety position OPEN, CLOSED or free defined position
Fieldbus interface*		Digital transmission of nominal and actual value per mill or percent, report of monitoring and diagnostic data using Profibus DP (PSPDP) or CANOpen (PSCA) interfaces, additional interfaces available on request
Local control*	PSC.2	Illuminated display to show the actuator status and lockable selector to switch between modes: automatic, manual process ON/OFF, STOP and parameter menu. Control buttons for manual movement, menu operation and adjustment of parameters, display of diagnostic information
Remote local control		Mounting separately from the actuator (incl. 10 m connection cable)
Data cable	PSCS-USB	USB data cable enables the communication between the actuator and a PC by using the software PSCS
Fail-safe port*	FSP	Signal port to drive to a "safety position", selectable fail-safe position, standard 24 - 230 V
Heating resistor	HR	Heating resistor to prevent condensation
Increased enclosure*	IP	Increase of enclosure to IP67

*not retrofittable

For more information and accessories, please visit our website www.ps-automation.com!

Subject to changes!