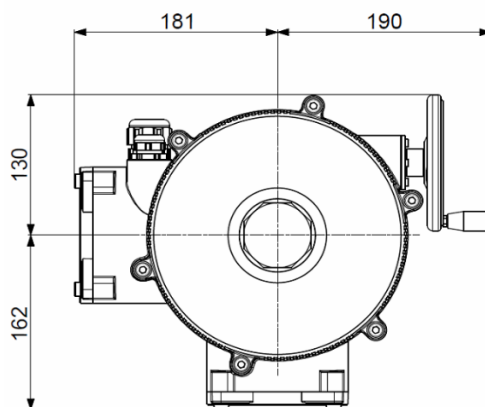
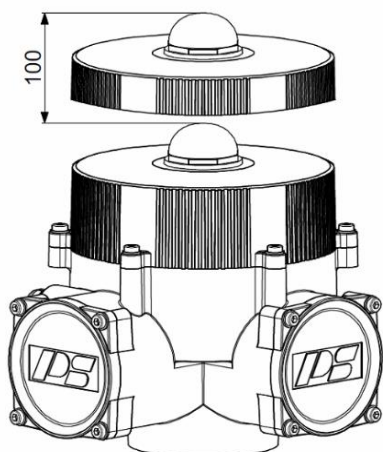


Intelligent Quarter-Turn Actuator

PSQ-S200AMS22



**Positioner
integrated**

**60 - 200 Nm
Switching torque**

Modulating torque
max. 50%)¹

**6 s - 20 s
Operating Time/90°**

**Flange
F05 + F07 + F10**

Modulating Actuator

Class C

acc. EN 15714-2

Enclosure IP68

acc. EN 60529

Approx. weight: 12 kg without accessories

| Operating Time/90° | 6 - 20 s (adjustable) | | | |
|--------------------------------------|-----------------------|-------|-------|---------------------------------|
| Power Supply [V] | 100-240 VAC 1~ | 24VDC | 24VAC | 180...500 VAC 3~) ² |
| Nominal Current [A] | 0,6-1,1 | 3,5 | 4,6 | 0,42) ³ |
| max. Current) ⁴ [A] | 0,8 | 5 | 7 | 0,6) ³ |
| Power Consumption) ⁵ [W] | 90 | 80 | 80 | 85) ³ |

AMS22

| Standard | Description |
|---------------------------|--|
| Ambient Temperature [°C] | -20 to +60 °C |
| Motor Protection | electronic motor current monitoring with safety cut-off |
| Overvoltage category | II |
| Break away force | adjustable up to +50% nominal force |
| Duty Cycle IEC 60034-1,8 | S2 30 min / S4 600c/h 50%ED |
| Set value and Feedback | current 0 (4)... 20 mA, voltage 0 (2)... 10 V adjustable, split-range operation possible |
| Binary control | 24 V - 230 V for ON/OFF control (min. duration of pulse 1s) |
| Valve Positioner Function | deadband adjustable from 5 ..100%, shut-off minimum at torque switching |
| Automatic Start-up | Recognizing the end position(s) and autoscaling set and feedback values |
| Internal Fault Monitoring | Torque, set value, temperature, power supply, deviation of end positions, adjustable actions and signalisation |
| Diagnosis Function | Data storage of number of motor starts, motor operating hours and rolling storage of set/actual value, torque, actuator temperature and status (acc. to NE107) |
| Communication Interface | for parametrisation and diagnosis PSCS.WIFI oder PSCS.2 with USB data cable |
| Wi-Fi | Using the actuator's Wi-Fi option, the Event logging and the Daily logging can be displayed on any portable device. |
| Cable Glands | 3 cable glands: 1 pc. 32 x1,5 and 2 pc. 25x1,5 |

Standard Equipment

)¹ = Permissible average torque for a travel of 90°

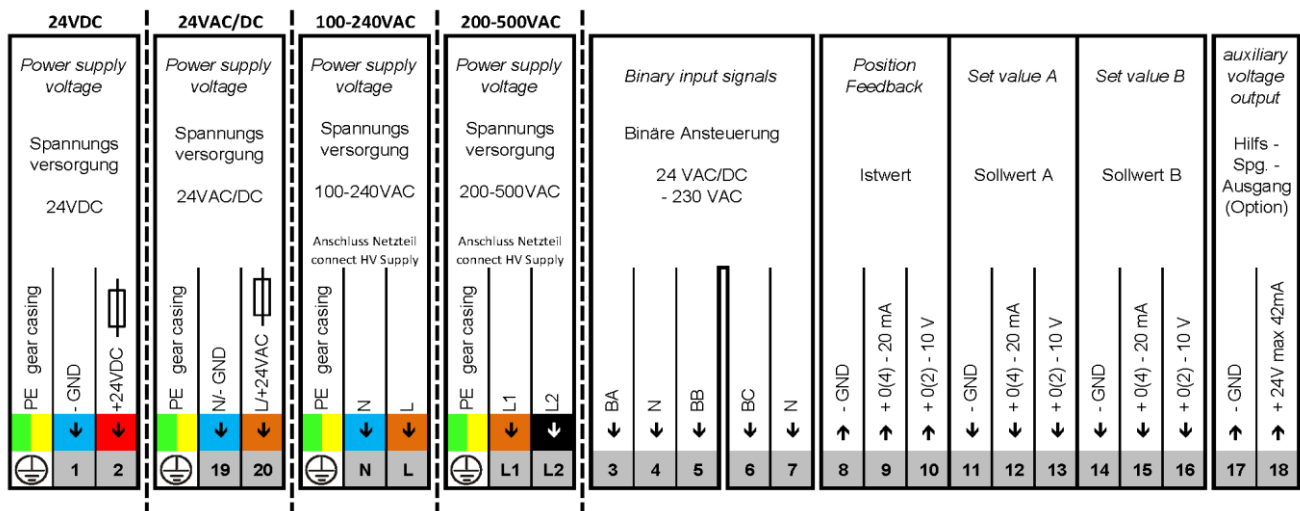
)² = at nominal force

)³ = at 400 V 3 phases and 50 Hz

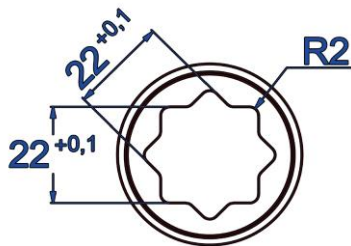
)⁴ = Data can change depending on accessories

)⁵ = at switching torque, data can change depending on accessories

Electrical Connection Plan

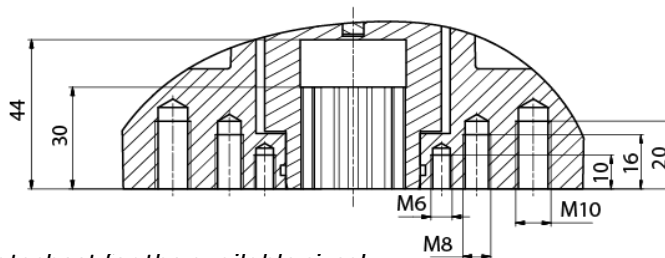


Double Square Drive Bush

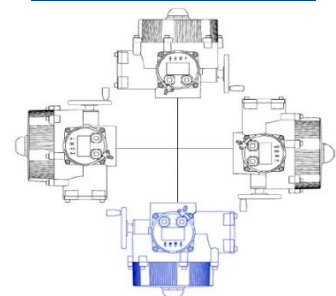


ISO Flange Dimensions

F05 / F07 / F10



Mounting Position



On demand

Please check the drive bushes datasheet for the available sizes!
Other customized drive bushes on request!

| Accessories/Options | Add'l Position Switches | 2WE | Potential-free additional position switches with silver contacts (0.1 A - 10 A switching current) |
|---------------------|--|--------------------------------|---|
| | Add'l Position Switches | 2WE Gold | Potential-free additional position switches with gold contacts (0.1 mA - 100 mA switching current) |
| | Integrated process controller | PSIC | Enables the autonomous control of a process so that an external controller is not required |
| | Fail-Safe* | PSCP | Emergency power supply based on supercapacitors, safety position OPEN, CLOSED or free defined position |
| | Fieldbus Interface* | | Digital transmission of nominal and actual value per mill or percent, report of monitoring and diagnostic data using PROFIBUS-DP, CANopen, PROFINET, MODBUS-RTU interfaces, additional interfaces available on request |
| | Local Control | PSC.3 | Illuminated display to show the actuator status and lockable selector to switch between modes: automatic, manual process ON/OFF, STOP and parameter menu. Control buttons for manual movement, menu operation and adjustment of parameters, display of diagnostic information. Also available for mounting separately from the actuator (incl. 10 m connection cable) |
| | Rotational speed controller, set value B | | External regulation of the rotational speed via set value B. |
| | Relay module | | 5 potential-free relays with changeover contacts for reporting parameterisable events. Suitable for switching currents 0.1 A to 1 A at voltages 24 V to 230 VAC/DC. |
| | Heating Resistor | HR | Heating resistor to prevent condensation |
| Terminal Box* | | Plug and socket in an IP68 box | |

*not retrofittable

For more information and accessories, please visit our website www.ps-automation.com!

Subject to changes!