

Electric Quarter Turn Actuator

PSQ-E

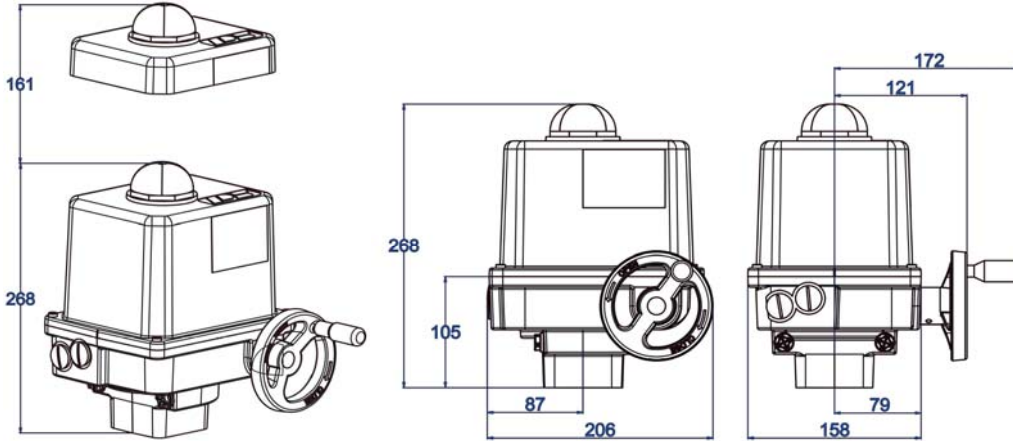
100 Nm / 150 Nm
max. Torque

23 s
Operating time/90°

Flange F05 / F07

Actuator
Class C
acc. to DIN EN 15714-2

Enclosure IP67
acc. to EN 60529



weight: approx. 6 kg without accessories

Operating Time/90°	23 s [50 Hz] / 19 s [60 Hz]				32 s	PSQ-E100 100 Nm	
Power Supply [V]	230 VAC 1~	115 VAC 1~	24 VAC 1~	400 VAC 3~	24 VDC		
Frequency [Hz]	50 / 60	50 / 60	50 / 60	50 / 60	see PSQ-E130		
Nominal Current [A]	0.12	0.23	1.1	0.065) ⁴			
Maximum Current [A]	0.14	0.28	1.3	0.075) ⁴			
Power Consumption) ³ [W]	27	27	27	45			
Duty Cycle IEC 60034-1,8	S2 - 30 min, S3/S4 1200 c/h - 50% ED at 25°C						
Ambient Temperature [°C]	-25°C to +70°C						
Overvoltage Category	II						
Motor Protection	Thermo switch) ¹						
Operating Time/90°	23 s [50 Hz] / 19 s [60 Hz]					32 s	PSQ-E150 150 Nm
Power Supply [V]	230 VAC 1~	115 VAC 1~	24 VAC 1~	400 VAC 3~		24 VDC	
Frequency [Hz]	50 / 60	50 / 60	50 / 60	50 / 60	see PSQ-E130		
Nominal Current [A]	0.17	0.3	1.5	0.08) ⁴			
Maximum Current [A]	0.20	0.36	1.8	0.1) ⁴			
Power Consumption) ³ [W]	39	39	39	55			
Duty Cycle IEC 60034-1,8	S2 - 30 min, S3/S4 1200 c/h - 50% ED at 25°C						
Ambient Temperature [°C]	-25°C to +70°C						
Overvoltage Category	II						
Motor Protection	Thermo switch) ¹						
Standard Equipment						Accessories Options	
Position Signal Switches 2WE	2 additional position switches included (changeover contact) current rating: 1 A inductive, 3 A ohmic; max. voltage: 250 VAC						
Drive Bush	22 mm double square, drawing see back side						
Accessories / Options	230 VAC 1~	115 VAC 1~	24 VAC 1~	400 VAC 3~	24 VDC		
Heating HR	•	•	•	•) ²	see PSQ-E130		
Potentiometer PD	•	•	•	•			
Position Transmitter PSPT	•	•	•	•			
Enclosure IP68 IP	•	•	•	•			

¹ Thermo switch must be wired externally at 400VAC 3~

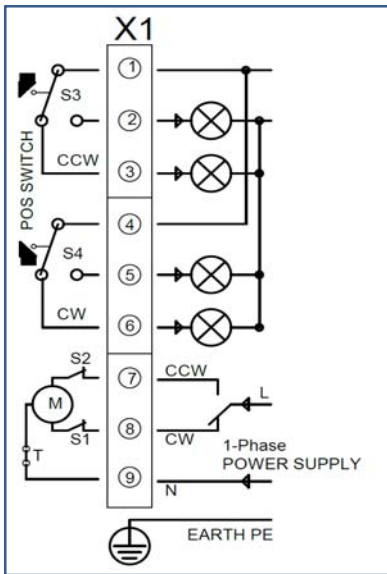
² Supply voltage 24 V or 115-230 V

³ at max. torque and 50 Hz

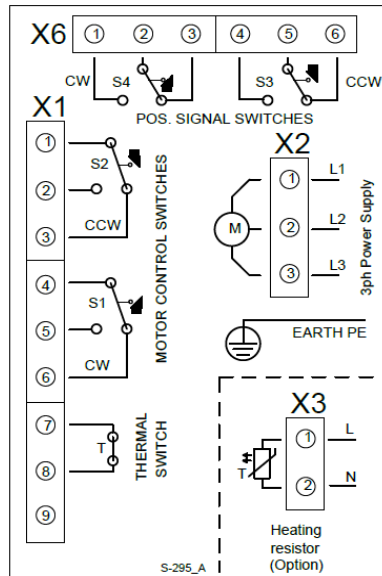
⁴ per phase

Electric Wiring Diagram

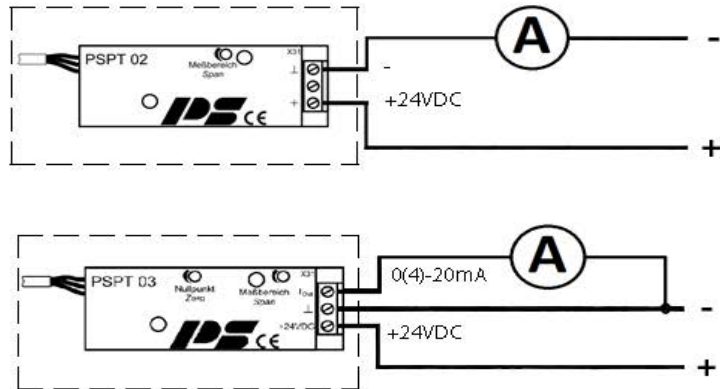
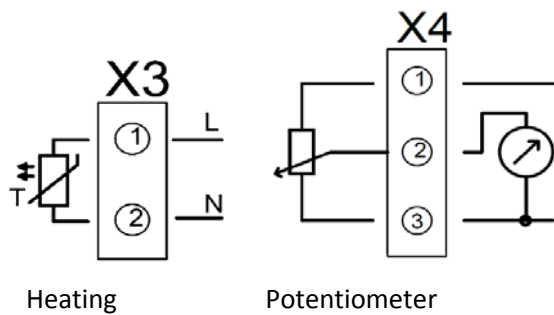
230, 115, 24 VAC 1~



400 VAC 3~

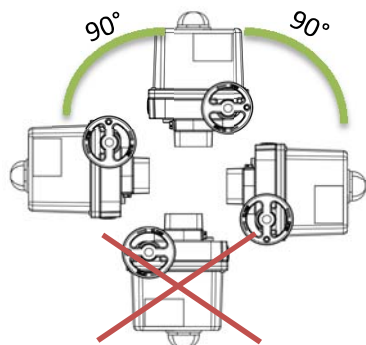


Options



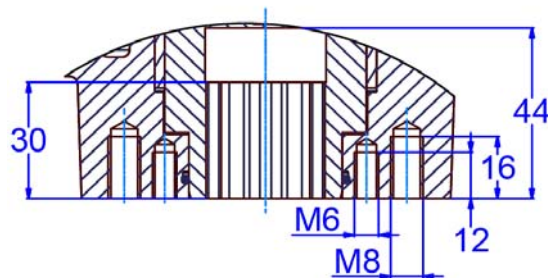
Position transmitter PSPT

Mounting Positions

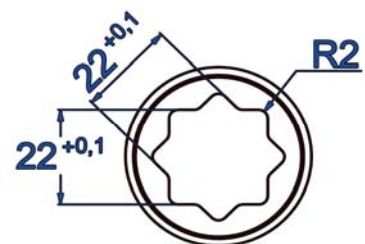


ISO Flange Dimensions

ISO 5211	F05	F07
----------	-----	-----



Double Square Drive



Please check drive bushes datasheet for available sizes!
Other customized drive bushes on request!