

# Electric Quarter Turn Actuator

PSQ-E130

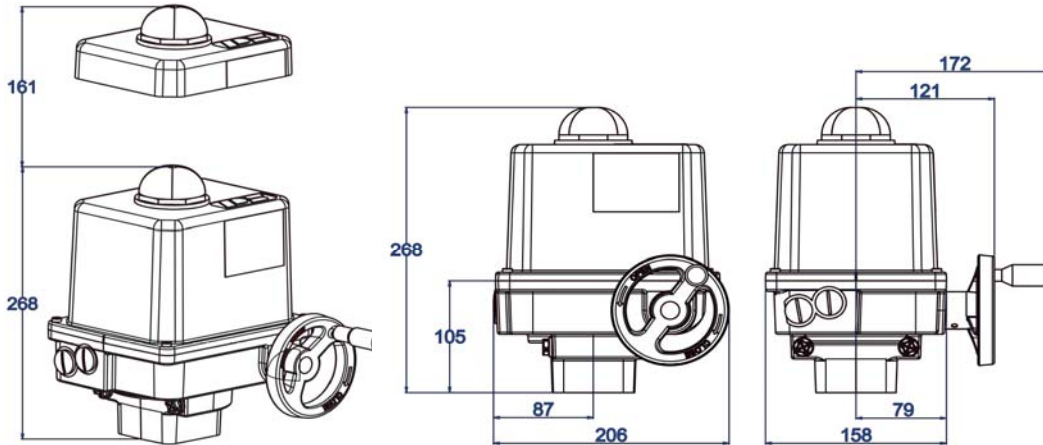
**130 Nm**  
max. Torque

**32 s**  
Operating time/90°

**Flange F05 / F07**

Actuator  
**Class C**  
acc. to DIN EN 15714-2

**Enclosure IP67**  
acc. to EN 60529



**weight: approx. 6 kg without accessories**

Operating Time/90°	23 s [50 Hz] / 19 s [60 Hz]				32 s
Power Supply [V]	230 VAC 1~	115 VAC 1~	24 VAC 1~	400 VAC 3~	24 VDC
Frequency [Hz]					-
Nominal Current [A]					1.3
Maximum Current [A]					2.5
Power Consumption) <sup>3</sup> [W]	see PSQ-E100 or PSQ-E150				31
Duty Cycle IEC 60034-1,8					) <sup>1</sup>
Ambient Temperature [°C]					) <sup>2</sup>
Overvoltage Category					II
Motor Protection					Multifuse
Standard Equipment					
Add'l Position Switches 2WE	2 additional position switches included (changeover contact) current rating: 1 A inductive, 3 A ohmic; max. voltage: 250 VAC				
Drive Bush	22 mm double square, drawing see back side				
Accessories / Options	230 VAC 1~	115 VAC 1~	24 VAC 1~	400 VAC 3~	24 VDC
Heating HR	see PSQ-E100 or PSQ-E150				•
Potentiometer PD					•
Position Transmitter PSPT					•
Enclosure IP68 IP					•

**PSQ-E130**  
**130 Nm**

**Accessories / Options**

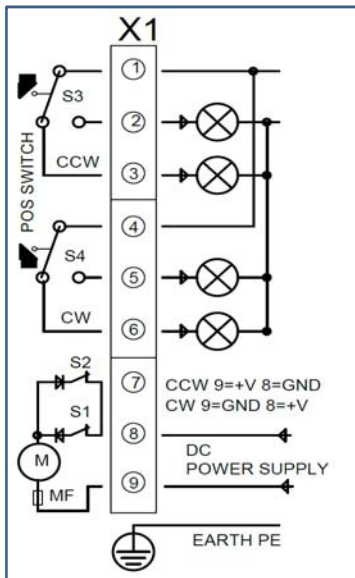
)<sup>1</sup> S2 - 30 min, S3/S4 1200 c/h - 50% ED at 25°C

)<sup>2</sup> -25°C to +70°C

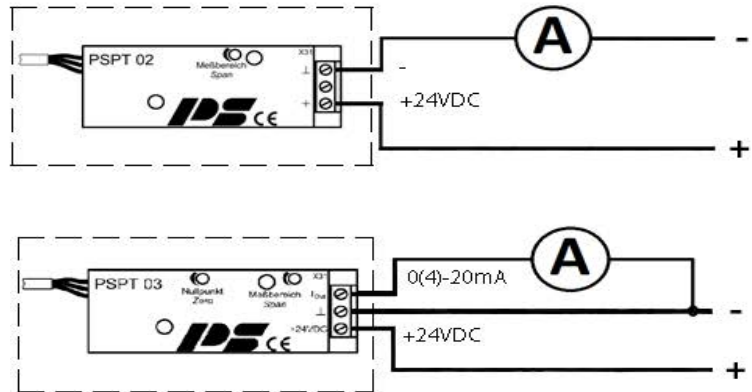
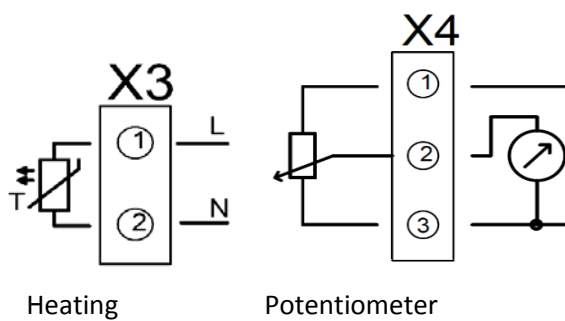
)<sup>3</sup> at max. torque

## Electric Wiring Diagram

### 24 VDC

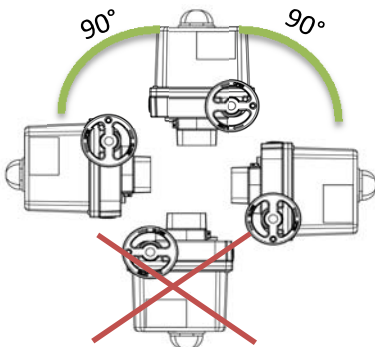


## Options



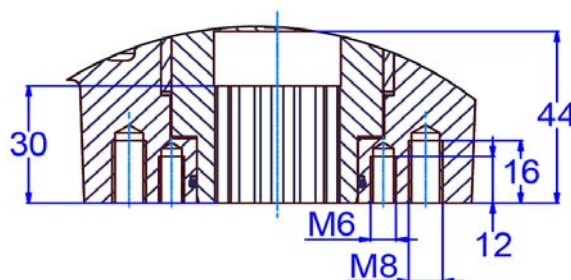
Position transmitter PSPT

## Mounting Positions

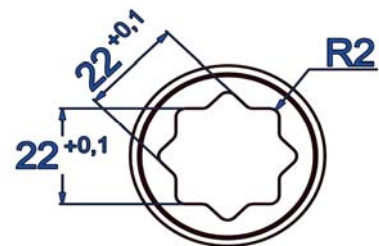


## ISO Flange Dimensions

ISO 5211	F05	F07
----------	-----	-----



## Double Square Drive



Please check drive bushes datasheet for available sizes!  
Other customized drive bushes on request!