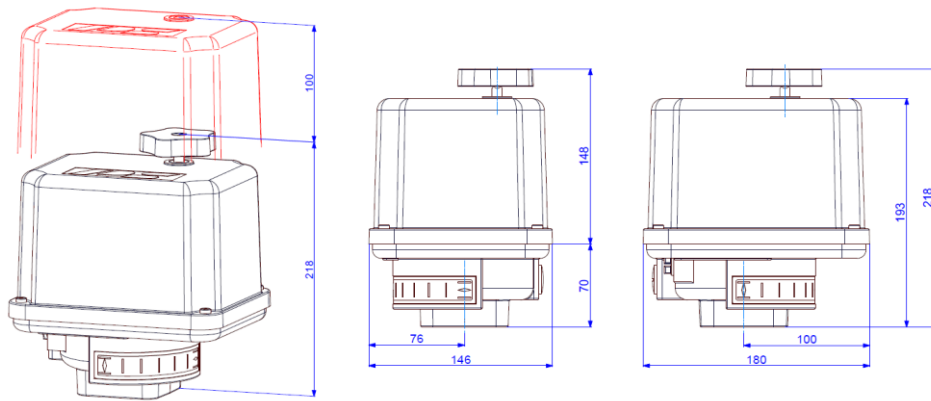


Electric Quarter Turn Actuator

PSR-E-C45



weight: approx. 3 kg without accessories

45 Nm max. Torque

23 Nm running torque)¹

17 / 80 s

Operating time/90° at 50 Hz

Flange F04 F05 F07*

acc. to ISO 5211

Actuator Class C

acc. to EN 15714-2

Enclosure IP65

acc. to EN 60529

Operating Time/90°	17 s [50 Hz] / 14 s [60 Hz]				
Power Supply [V]	230 VAC 1~	115 VAC 1~	24 VAC 1~	400 V 3~	24 VDC
Frequency [Hz]	50 / 60	50 / 60	50 / 60		
Nominal Current [A]	0.1	0.2	1		
Maximum Current [A]	0.12	0.24	1.2		
Power Consumption) ² [W]	22	22	22		
Operating Time/90°	80 s [50 Hz] / 66 s [60 Hz]				
Power Supply [V]	230 VAC 1~	115 VAC 1~	24 VAC 1~	400 V 3~	24 VDC
Frequency [Hz]	50 / 60	50 / 60	50 / 60		
Nominal Current [A]	0.03	0.07	0.33		
Maximum Current [A]	0.04	0.08	0.4		
Power Consumption) ² [W]	8	8	8		
Standard Equipment					
Duty Cycle IEC 60034-1,8	S2 - 20 min, S3/S4 - 1200 c/h - 50% at 25°C				
Ambient Temperature [°C]	-25 at +70 (S2) / -20 at +60 (S4)				
Motor Protection	Thermo switch				
Overvoltage Category	II				
Drive Bush	17 mm double square, drawing see back side				
Accessories/Options	230 VAC 1~	115 VAC 1~	24 VAC 1~	400 V 3~	24 VDC
Position Signal Switches 2WE	•	•	•		
Position Signal Switches 2WE Gold	•	•	•		
Position Transmitter PSPT	•) ³	•) ³	•) ³		
Valve Positioner Function PSAP	•	•	•) ⁴		
Heating Resistor) ⁵ HR	•	•	•		
Potentiometer PD	•	•	•		
Adapter for Valve Shaft	Options on request				
Increased Enclosure IP	Increase of enclosure to IP67				

**PSR-E-C
45 Nm**

For more information and accessories, please visit our website www.ps-automation.com!

* Flange details see back side

• = available, for further information please check the data sheet

)¹ = Permissible average torque over the travel of 90°

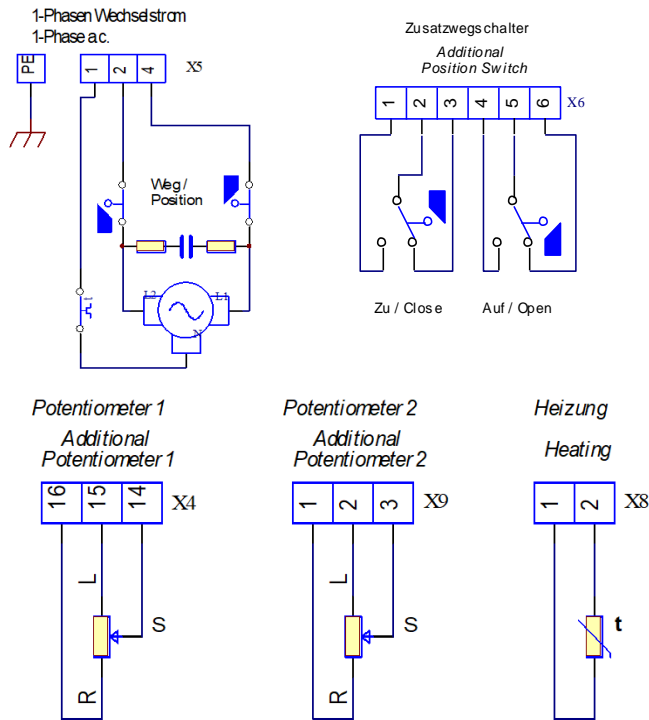
)² = at maximum torque and 50 Hz

)³ PSPT02: 2-wire technology; PSPT03: 3-wire technology

)⁴ = PSAP with external relay required (version .../R)

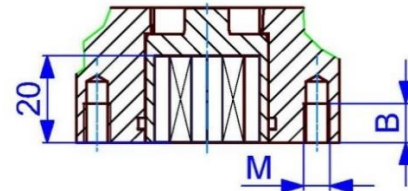
)⁵ = Supply voltage 24 V or 115-230 V

Electric Wiring Diagram

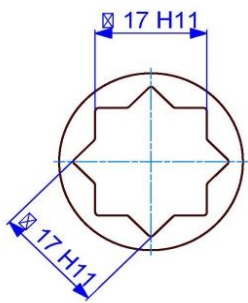


ISO Flange Dimensions

ISO 5211	F04/07	F05/07
M	M5/M8	M6/M8
B	8/12 mm	9/12 mm



Dimensions for Drive Bushes



Please check drive bushes datasheet for available sizes!

Other customized drive bushes on request!

Subject to changes!

Mounting Positions

