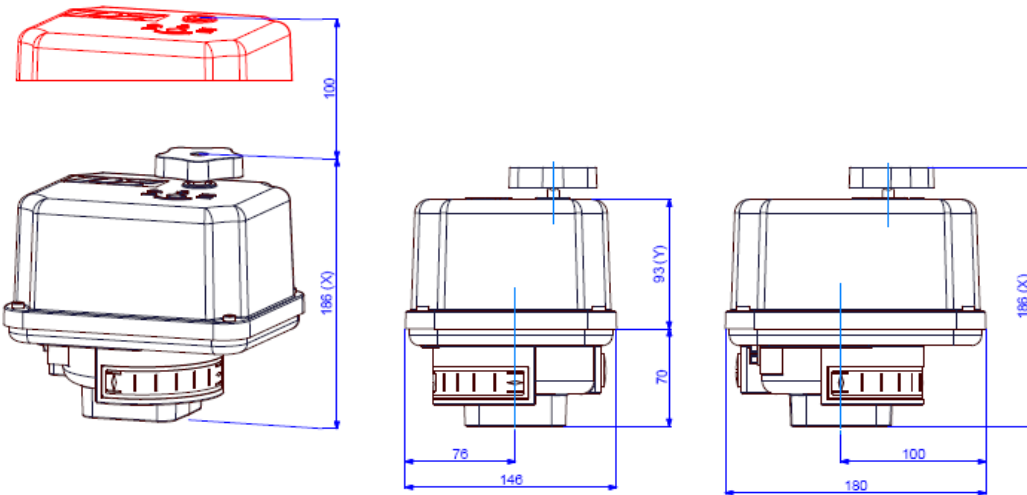


Electric Quarter Turn Actuator

PSR-E25



25 Nm
max. Torque

9 / 17 s
Operating time/90°

Flange F04/07 or
F05/F07*
acc. to ISO 5211

Actuator
Class C
acc. to EN 15714-2

Enclosure IP65
acc. to EN 60529

Approx. weight: 2.5 kg without accessories

Operating time/90°	17 s [50Hz] / 14 s [60 Hz]				9 s
Power Supply [V]	230 VAC 1~	115 VAC 1~	24 VAC	400 V 3~	24 VDC
Frequency [Hz]	50 / 60	50 / 60	50 / 60		-
Nominal Current [A]	0.08	0.15	0.8		0.6
Max. Current [A]	0.09	0.18	0.96		1.2
Power Consumption [W]	17 / 23	18 / 20	18 / 23		15

Standard Equipment	
Duty Cycle IEC 60034-1,8	S2 - 20 min, S3/S4 1200 c/h - 25% ED at 25°C
Ambient Temperature [°C]	-25°C to +70°C
Motor Protection	Thermo switch Multifuse
Add'l Position Switches 2WE	2 additional position switches included (changeover contact) ampacity: 1 A inductive, 3 A ohmic; max. voltage: 250VAC
Drive Bush	17 mm double square, drawing see back side
Overvoltage Category	II

Accessories/Options	230 VAC 1~	115 VAC 1~	24 VAC	400 V 3~	24 VDC
Heating HR	•	•	•		•
Potentiometer PD	•	•	•		•
PSPT	•	•	•		see left
Positioner PSAP	not retrofittable, please order a PSR-E-C instead				see left
Adapter for Valve Shaft	Options on request				see left
Increased Enclosure IP	Increase of enclosure to IP67				see left

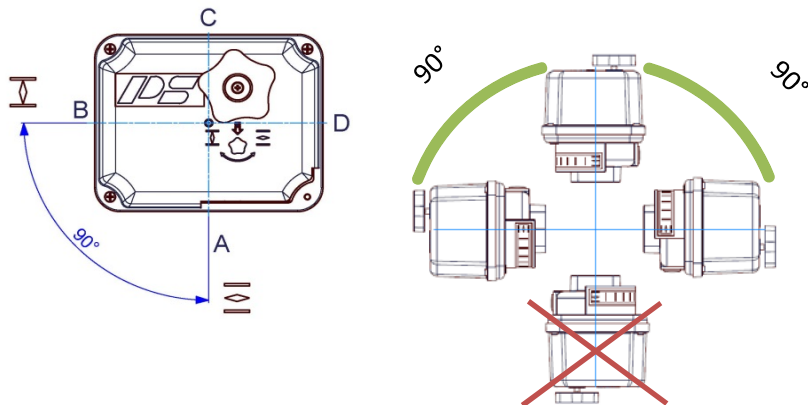
*Flange details see back side

• = retrofittable, for further information please check the respective data sheet

)¹ PSPT02: 2-wire technology; PSPT03: 3-wire technology

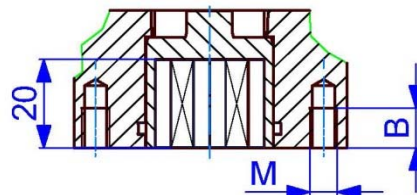
PSR-E25
25 Nm

Mounting Positions



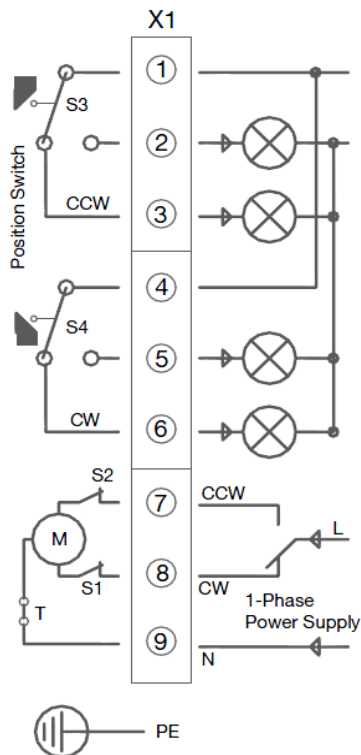
ISO Flange Dimensions

ISO 5211	F04/07	F05/07
M	M5/M8	M6/M8
B	8/12 mm	9/12 mm

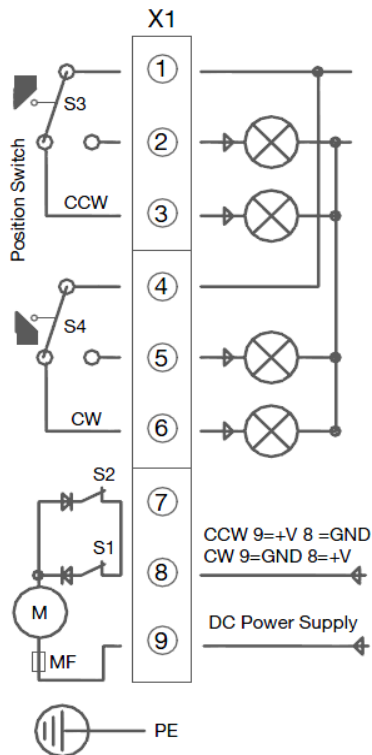


Electric Wiring Diagram

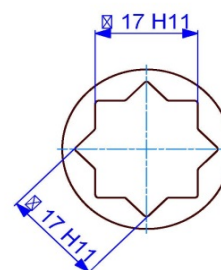
230, 115, 24 VAC 1~



24 VDC

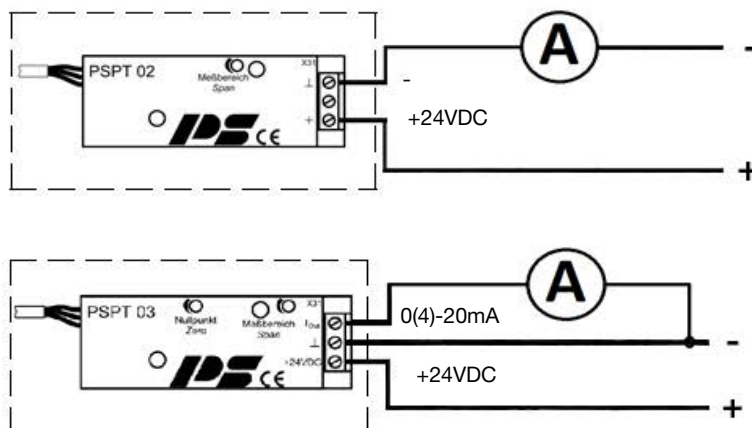
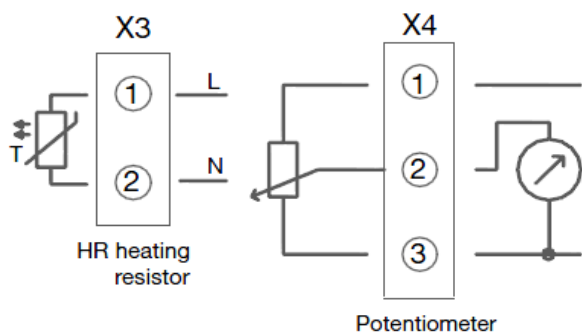


Double Square Drive



Please check drive bushes datasheet for available sizes!
 Other customized drive bushes on request!

Options



Subject to changes!