

PS-AMS PSQ

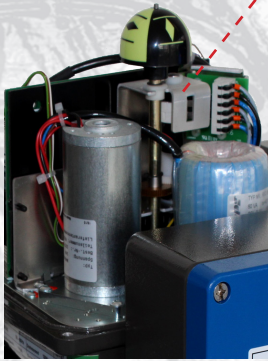
PS Automation 
Gesellschaft für Antriebstechnik

We care for actuation.

The smart quarter-turn actuator up to 1500 Nm

Safe in operation and extremely compact with an outstanding value for money

Improved stability due to metal mainframe for mainboard and accessories

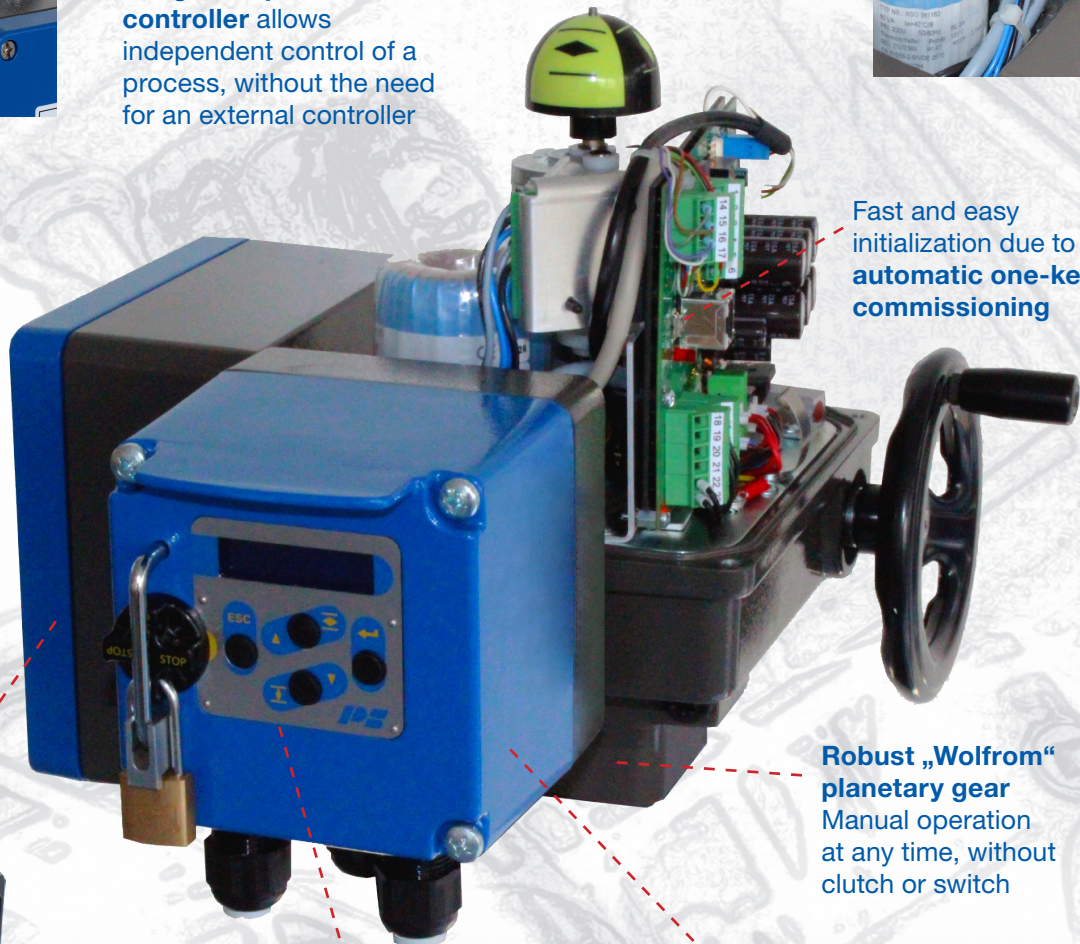


Option: Potential-free additional limit switches / intermediate position switches for additional status signals. Now retrofittable!



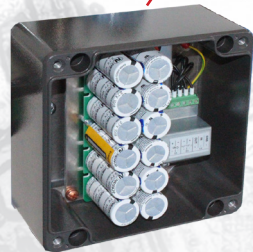
Option: Integrated process controller allows independent control of a process, without the need for an external controller

Diagnostic and monitoring function gives information about the status of the operating valve



Fast and easy initialization due to automatic one-key commissioning

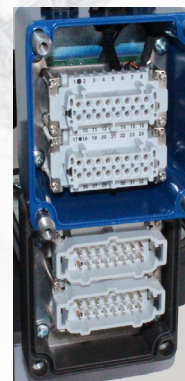
Robust „Wolfrom“ planetary gear Manual operation at any time, without clutch or switch



Optional: Power failure backup
Integrated emergency supply on basis of super capacitors, freely adjustable failsafe position

Programmable via **optional local control or via USB interface**
Manual operation and access to parameters and diagnosis on site without PC

- Common interfaces are integrated, fieldbus optional
- Integrated position indicators and valve positioner functionalities
- Valve control curve adjustable
- Split range control possible

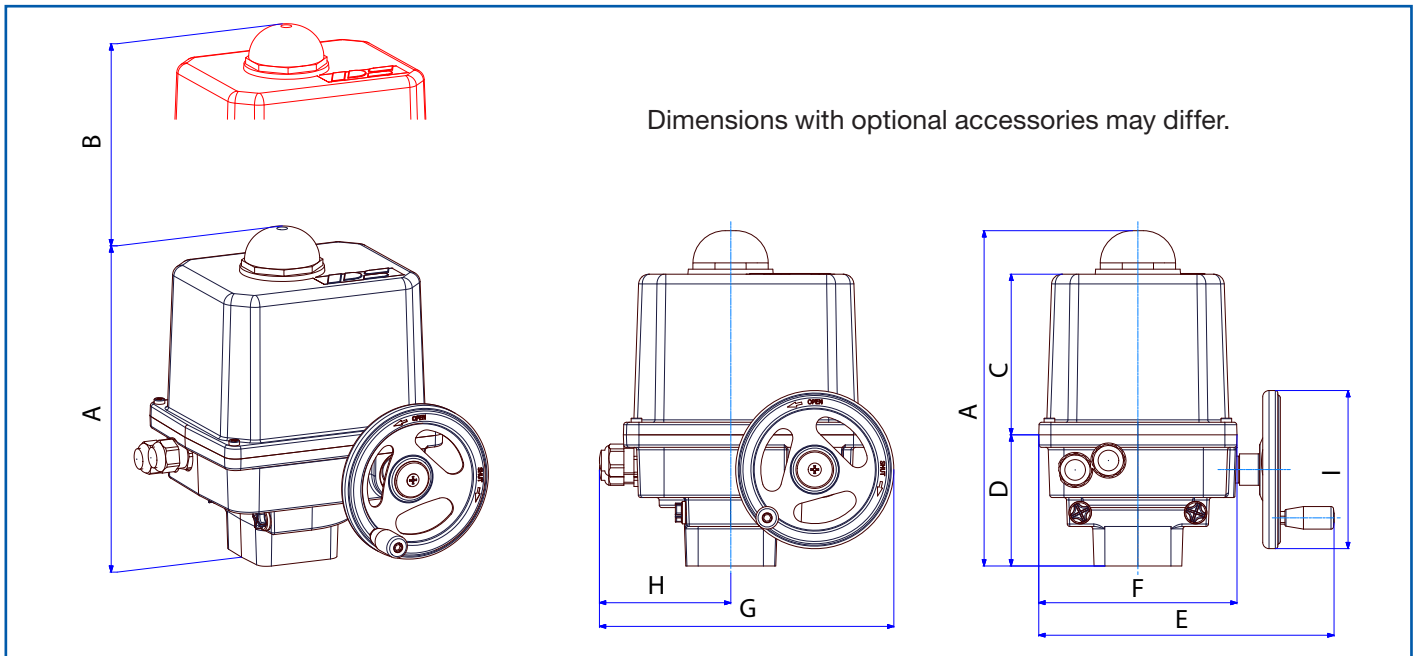


Option: Terminal box IP68 with plug modules for power supply and signals available

PS-AMS PSQ

Technical data

| PS-AMS PSQ | | PSQ103 AMS11 | PSQ103 AMS12 | PSQ203 AMS11 | PSQ203 AMS12 | PSQ503 AMS12 | PSQ703 AMS13 | PSQ1003 AMS13 | PSQ1503 AMS13 |
|------------------------------|------|---|--------------|--------------|--------------|--------------|--------------|---------------|---------------|
| Switching torque | Nm | 65-130 | 65-130 | 125-250 | 125-250 | 250-500 | 350-700 | 500-1000 | 750-1500 |
| Modulating torque | Nm | 65 | 65 | 125 | 125 | 250 | 350 | 500 | 750 |
| Angle of rotation | ° | 90° ± 5° | | | | | | | |
| Handwheel turns | /90° | 18 | | | | | | | |
| Valve flange acc. to ISO5211 | | F05/F07 | F05/F07 | F07/F10 | F07/F10 | F10/F12 | F10/F12 | F12/F14 | F12/F14/F16 |
| Enclosure acc. to EN60529 | | IP67, optional IP68 | | | | | | | |
| Ambient temperature | °C | -20 to +60 | | | | | | | |
| Weight | kg | 7 | 7 | 13 | 13 | 27 | 27 | 27 | 27 |
| Operating time for 90° | s | 36-72 | 9-18 | 60-120 | 16-32 | 36-72 | 70-140 | 70-140 | 110-220 |
| Power supply | V | 230 VAC 1~, 115 VAC 1~, 360...460 VAC 3~, 24 VAC/DC | | | | | | | |
| Duty cycle IEC60034-1,8 | | S2 30 min, S4 50% ED - 1200 c/h | | | | | | | |
| Motor protection | | Electronic motor current monitoring with safety cut-off | | | | | | | |



| Dimensions | A | B | C | D | E | F | G | H | I |
|---------------|---------|-----|-----|-------|-----|-----|-----|-----|-----|
| PSQ103AMS | 268 | 161 | 128 | 104.5 | 236 | 158 | 244 | 114 | 125 |
| PSQ203AMS | 355 | 228 | 194 | 122.5 | 307 | 185 | 292 | 112 | 200 |
| PSQ503/703AMS | 406/409 | 240 | 198 | 171.5 | 358 | 234 | 350 | 141 | 200 |
| PSQ1003AMS | 406/409 | 240 | 198 | 171.5 | 287 | 234 | 375 | 141 | 250 |
| PSQ1503AMS | 406/409 | 240 | 198 | 173 | 275 | 234 | 375 | 141 | 250 |

PS Automation GmbH Gesellschaft für Antriebstechnik

Philipp-Krämer-Ring 13 • D-67098 Bad Dürkheim
+49 (0) 6322-94980-0 • info@ps-automation.com
www.ps-automation.com

Engineered and Made in Germany

